

BA-SG Series

- 1/4" - 24" and (15A-489A) Sizes
- CFOS Cleaned and Bagged
- Integrated Valve Assemblies
- Standard Spool Assemblies & Custom Spool Lengths (Customer Specified In Feet/Meters)
- 100% Helium Leak Tested



Evans BA-SG Series

Evans Components, Inc. was the first to introduce a High Purity Ball Valve for use in the Semiconductor marketplace. Today we are a market leader in providing innovative fluid handling solutions, serving the Semiconductor, Clean Energy, Life Sciences and Advanced Manufacturing markets. ECI currently offers the widest range materials, sizes, configurations, and integrated assemblies for high purity ball valves while leading the industry as a low cost provider of high quality products and specialty manifolds.

Evans Manifold Assemblies

Creating Value

- Pulled Tee Design Eliminates Over 70% of Field Welds
- Helium Leak Tested, 1×10^{-8} scc/sec
- Proven Automated Weld Technology, Minimized Deadleg
- Cleaned, Assembled, & Packaged in Cleanroom Environment
- Optional Lengths (Customer specified in feet/Meters)
- Ideal Solution for Fast Track Projects
- Lowest Installed Cost
- Standard Catalog Item with Part Number Marked on Spool



Features

Lower Installed Cost

- Reduced number of welds
- Elimination of fittings in systems (tee's, crosses, etc.)
- No valve disassembly required for welding
- Pre-fabricated, leak tested spools

Quality Production of Assembly in Controlled Environment

- Reduced tool down time
- Reduced field failure
- Fast track line certification and qualification
- Higher quality, lower installed cost

Spool Manufacturing

- Standard spool assemblies
- Special overall lengths / configurations (Customer specified)
- Wide variety of end connections

Full Selection of Ball Valves

- Sizes from 1/4" to 24"
- Integrated valves with heat traceable 316L / 304L SS tube extensions

Locking Handles

- Standard locking lever, 1/4" - 4"
- Tee style bar handle, 4" - 6"RP
- Gearbox actuation, 6"FP - 24"

Testing of Valve Assemblies

- 1/4" - 8" valves leak tested to 1×10^{-8} scc/sec
- 10" - up valves leak tested to 1×10^{-7} scc/sec

High Purity Cleaning & Packaging

- All Evans High Purity Ball Valves are assembled & tested in a cleanroom
- Visual inspection of all wetted surfaces
- Final DI water rinse and oven dried
- Polyethylene bag packaging with Mylar lined
- polyethylene cap

Specifications

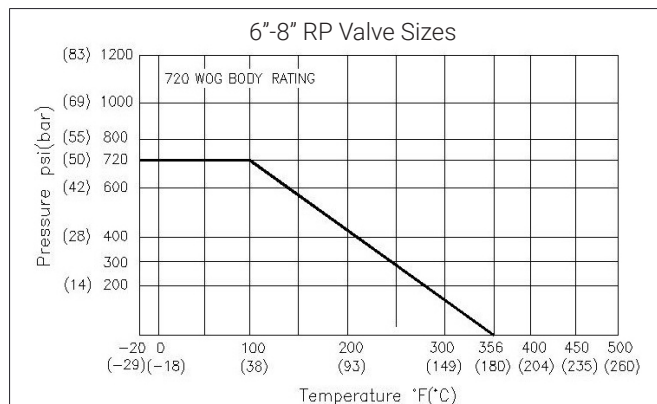
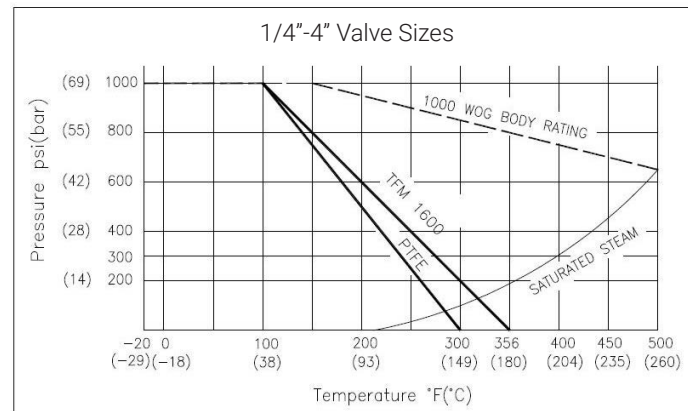
Stainless Steel Body Specifications

Pressure Rating: Vacuum to 1000 psig (69 bar) size 1/4" - 4"
 Vacuum to 300 psig (20 bar) size 5" - 12"
 Vacuum to 275 psig (19 bar) size 14" - 24"

General Tube/Pipe Specifications

Standard 304L or 316L tubing is mechanically polished on the ID to 25 RA. Sulfur content is controlled to .005 - .017 percent. Tube ends are square cut, faced and designed for orbital welding.

Note: SCH10 SS pipe stubs supplied either mechanically polished to 30 RA or pickled/passivated

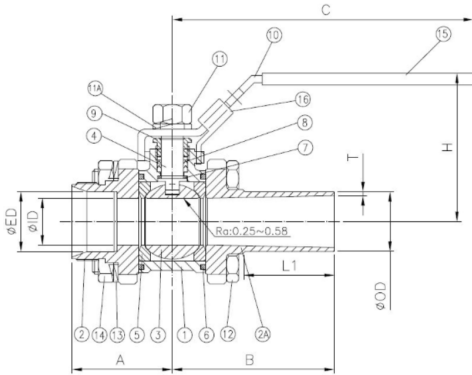


*RP: Reduced Port
 *FP: Full Port

Flow Specifications (Cv)		
SIZE	Cv	Kv
1/4"	1.1	1.0
3/8"	2.8	2.4
1/2"	19	16
3/4"	35	30
1"	50	43
1.25"	110	95
1.5"	200	173
2"	350	303
2.5"	650	562
3"	1100	952
4"	2100	1817
5"	3800	3287
6"RP	4550	3936
6"FP	5100	4412
8"RP	6500	5623
8"FP	9500	8218
10"	17,500	15138
12"	25,500	22058
14"	31,500	27248
16"	43,500	37628
18"	57,500	49738
20"	75,000	64875
24"	113,500	98178

CE/PED Pressure Equipment Directive 2014/68/EU	
Valve Size	Certification Type
1/4" - 1"	SEP (Sound Engineering Practice)
1-1/2" - 3"	Category I, Group 1 & 2 Gas, Module A
4" - 24"	Category II, Group 1 & 2 Gas, Module H

Tube Sized Valve Information



Size	ØID	ØOD	T	A	B	C	H	L1
	IN (mm)	IN (mm)	IN (mm)	IN (mm)	IN (mm)	IN (mm)	IN (mm)	IN (mm)
1/4"	0.18 (4.57)	0.25 (6.35)	0.035 (0.89)	1.38 35.1	1.65 41.9	3.93 99.8	1.93 49.0	0.62 15.7
3/8"	0.305 (7.75)	0.375 (9.53)	0.035 (0.89)	1.33 33.8	1.65 41.9	3.93 99.8	1.93 49.0	0.62 15.7
1/2"	0.402 (10.21)	0.50 (12.70)	0.049 (1.24)	1.38 35.1	2.06 52.3	3.93 99.8	1.93 49.0	1.02 25.9
3/4"	0.62 (15.75)	0.75 (19.05)	0.065 (1.650)	1.63 41.4	2.56 65.0	4.41 112.0	2.33 59.2	1.42 36.1
1"	0.870 (22.10)	1.00 (25.40)	0.065 (1.650)	1.66 42.2	2.92 74.2	4.77 121.2	2.49 63.2	1.70 43.2
1-1/2"	1.370 (34.80)	1.50 (38.10)	0.065 (1.650)	C/F	3.63 92.2	7.13 181.1	3.26 82.8	2.07 52.6
2"	1.870 (47.50)	2.00 (50.80)	0.065 (1.650)	C/F	4.00 101.6	7.50 190.5	4.02 102.1	2.04 51.8
2-1/2"	2.370 (60.33)	2.50 (63.50)	0.065 (1.650)	N/A	5.71 145.0	10.32 262.1	4.59 116.6	3.15 80.0
3"	2.870 (72.90)	3.00 (76.20)	0.065 (1.650)	N/A	5.74 145.8	10.25 260.4	5.34 135.6	2.54 64.5
4"	3.834 (97.38)	4.00 (101.6)	0.083 (2.11)	N/A	6.00 152.4	11.02 279.9	7.37 187.2	2.43 61.7
6" RP	4.921 (125.00)	6.00 (152.4)	0.109 (2.77)	N/A	6.63 168.4	N/A	N/A	2.20 55.9
6" FP	5.782 (146.86)	6.00 (152.4)	0.109 (2.77)	N/A	7.78 197.6	N/A	N/A	2.26 57.4
8" RP	5.782 (146.86)	8.00 (203.2)	0.109 (2.77)	N/A	7.78 197.6	N/A	N/A	2.26 57.4
8" FP	7.76 (197.10)	8.00 (203.2)	0.109 (2.77)	N/A	C/F	N/A	N/A	C/F



* Referenced dimensions are for tube extension and compression ended ball valves only. Consult factory for alternative end connection dimensions

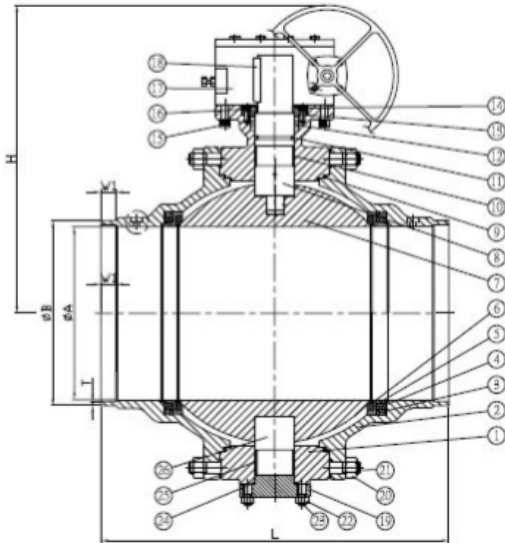
Item	Description	Material	Qty
1	Body	CF8M/CF8	1
2	End Caps	CF3M/CF3	2
3	Ball	CF8M/CF3	1
4	Stem	SS316/SS304	1
5	Ball Seat	RTFE,TFM	2
6	Body Seal	RTFE,TFM	2
7	Thrust Washer	RTFE,TFM	1
8	Stem Packing	RTFE,TFM	1
9	Stem Nut	SS304	1
10	Handle	SS304	1
11	Handle Nut	SS304	1
11A	Handle Washer	SS304	1
12	Body Bolt	SS304	4
13	Bolt Washer	SS304	4
14	Bolt Nut	SS304	4
15	Handle Sleeve	VINYL	1
16	Locking Device	SS304	1

*Dimensions subject to change depending on configuration

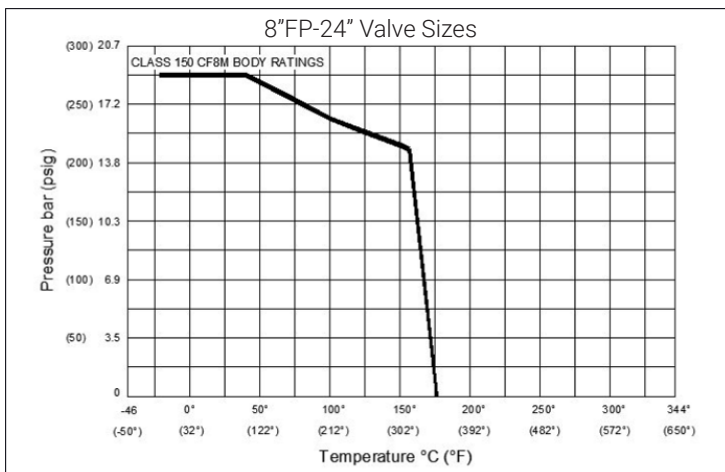
Dimensions are +/- 0.2"

*C/F - Consult Factory

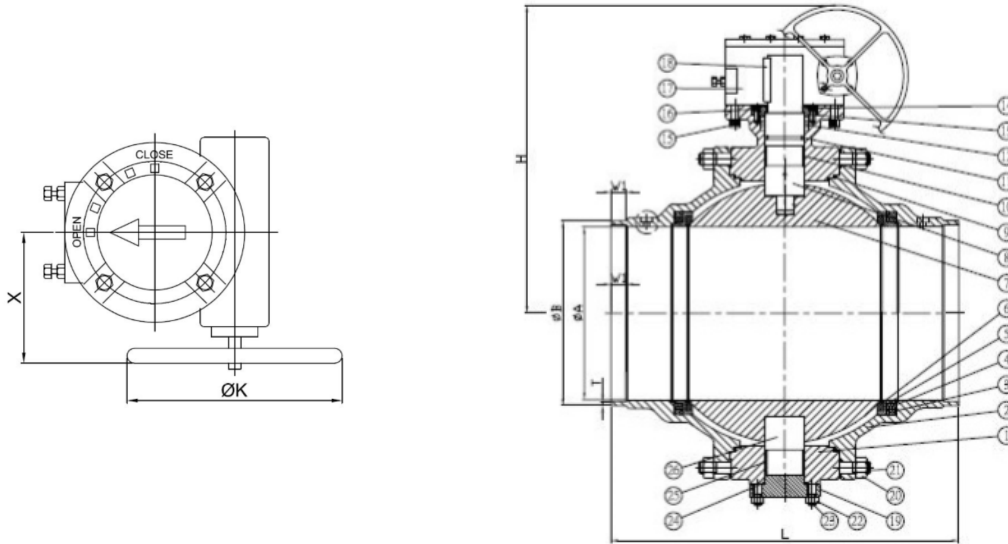
Large Bore Valve Specifications



NO.	PART NAME	MATERIAL
1	Body	CF8M/CF8
2	End Cap	CF3M/CF3
3	O-ring	VITON
4	Springs	SS 304
5	Sear Ring	SS 304
6	Seat	RTFE
7	Ball	CF8
8	Stem	SS 304
9	Body Seal	RTFE
10	Stem Bushing	RTFE
11	O-ring	VITON
12	Packing	RTFE
13	Gland	SS 304
14	Gland Washer	RTFE
15	Gear Bolt	SS 304
16	Gland Bolt	SS 304
17	Worm Gear	CAST IRON
18	Stem Pin	SS 304
19	End Plate	SS 304
20	Nut	ASTM A193 Gr. 8
21	Stud	ASTM A193 Gr. B8
22	Nut	ASTM A193 Gr. 8
23	STud	ASTM A193 Gr. B8
24	Gasket	RTFE
25	Bottom Bearing	RTFE
26	Bottom Stem	SS 304



Large Bore Valve Dimensions



VALVE SIZE	A (BALL ID)	B	H	K	L	W1	X	T (SCH10)	WEIGHT
	IN (mm)	IN (mm)	IN (mm)	IN (mm)	IN (mm)	IN (mm)	IN (mm)	IN (mm)	lb (kg)
8" FP	7.87 199.9	8.63 219.1	18.11 460.0	12.00 304.8	20.51 521.0	0.78 19.8	8.07 205.0	0.148 3.8	357 162
10"	9.84 249.9	10.75 273.1	22.04 559.8	15.94 404.9	22.00 558.8	1.37 34.8	10.00 254.0	0.165 4.2	645 293
12"	11.81 300.0	12.75 323.9	24.40 619.8	15.94 404.9	25.00 635.0	1.37 34.8	10.00 254.0	0.180 4.6	911 413
14"	13.26 336.8	14.00 355.6	34.05 864.9	23.62 599.9	30.00 762.0	1.37 34.8	17.20 436.9	0.250 6.4	1390 630
16"	15.23 386.8	16.00 406.4	33.26 844.8	23.62 599.9	32.99 837.9	1.37 34.8	17.20 436.9	0.250 6.4	1980 898
18"	17.24 437.9	18.00 457.2	43.31 1100.1	27.56 700.0	35.98 913.9	1.37 34.8	18.46 468.9	0.250 6.4	2425 1100
20"	19.25 489.0	20.00 508.0	44.49 1130.0	27.56 700.0	39.01 990.9	1.37 34.8	18.46 468.9	0.250 6.4	3120 1415
24"	24.00 609.6	23.19 589.0	C/F 750.1	23.62 599.9	45.00 1143.0	1.38 35.1	C/F	0.250 6.4	C/F

Dimensions are +/- 0.2"
*C/F - Consult Factory

Configurations

High Purity Straight Valve



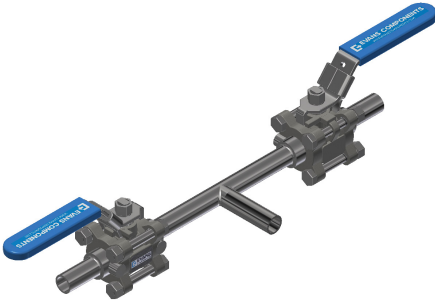
Single Horizontal Cross



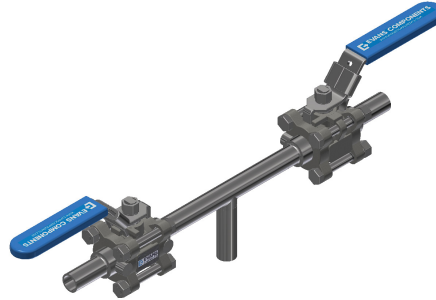
Single Horizontal Cross 2- Valve



Double Horizontal Tee



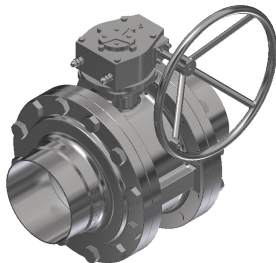
Double Vertical Tee



Double Horizontal Cross



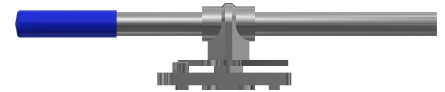
Large Bore 6"FP - 24" High Purity Straight Valve



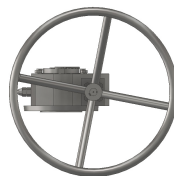
Lever Handle 1/4" - 4" Sizes



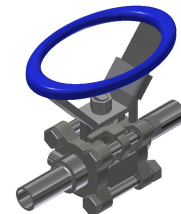
Tee Handle 6" RP - 8" RP Sizes



Gear Box 8" FP - 24" Sizes

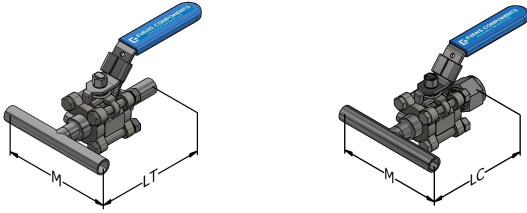


Optional Oval Handle (-OH) 1/4" - 4" Sizes



Integrated Valve Dimensions

Single Horizontal Cross (SHC)

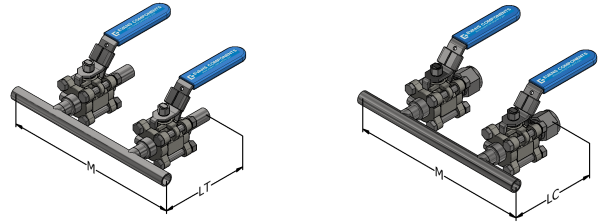


SIZE	M in	M mm	LT in	LT mm	LC in	LC mm
1/2" X 1/4"	3.75	95.3	C/F	C/F	C/F	C/F
1/2" X 1/2"	3.75	95.3	C/F	C/F	C/F	C/F
3/4" X 1/4"	4.00	101.6	C/F	C/F	C/F	C/F
3/4" X 1/2"	4.00	101.6	C/F	C/F	C/F	C/F
3/4" X 3/4"	4.00	101.6	C/F	C/F	C/F	C/F
1" X 1/2"	7.00	177.8	C/F	C/F	C/F	C/F
1" X 3/4"	7.00	177.8	C/F	C/F	C/F	C/F
1" X 1"	7.00	177.8	C/F	C/F	C/F	C/F
1-1/2" X 1/2"	7.00	177.8	C/F	C/F	C/F	C/F
1-1/2" X 3/4"	7.00	177.8	C/F	C/F	C/F	C/F
1-1/2" X 1"	7.00	177.8	C/F	C/F	C/F	C/F
1-1/2" X 1-1/2"	7.00	177.8	C/F	C/F	C/F	C/F
2" X 1/2"	5.75	146.1	C/F	C/F	C/F	C/F
2" X 3/4"	5.75	146.1	C/F	C/F	C/F	C/F
2" X 1"	9.00	228.6	C/F	C/F	C/F	C/F
2" X 1-1/2"	9.00	228.6	C/F	C/F	C/F	C/F
2" X 2"	9.00	228.6	C/F	C/F	C/F	C/F
3" X 1/2"	6.75	171.5	C/F	C/F	C/F	C/F
3" X 3/4"	6.75	171.5	C/F	C/F	C/F	C/F
3" X 1"	9.00	228.6	C/F	C/F	C/F	C/F
3" X 2"	9.00	228.6	C/F	C/F	C/F	C/F
4" X 1"	8.25	209.6	C/F	C/F	C/F	C/F
4" X 1-1/2"	8.25	209.6	C/F	C/F	C/F	C/F
4" X 2"	8.25	209.6	C/F	C/F	C/F	C/F
4" X 3"	14.00	355.6	C/F	C/F	C/F	C/F
6" X 1"	11.25	285.8	C/F	C/F	C/F	C/F
6" X 1-1/2"	11.25	285.8	C/F	C/F	C/F	C/F
6" X 2"	11.25	285.8	C/F	C/F	C/F	C/F
6" X 3"	14.00	355.6	C/F	C/F	C/F	C/F
6" X 4"	14.00	355.6	C/F	C/F	C/F	C/F

Dimensions are +/- 0.2"

*C/F - Consult Factory

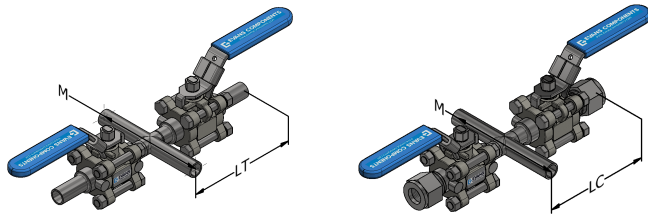
Single Horizontal Cross 2-Valve (SHC2)



SIZE	M in	M mm	LT in	LT mm	LC in	LC mm
1/2" X 1/4"	19.00	482.6	C/F	C/F	C/F	C/F
1/2" X 1/2"	19.00	482.6	C/F	C/F	C/F	C/F
3/4" X 1/4"	19.00	482.6	C/F	C/F	C/F	C/F
3/4" X 1/2"	19.00	482.6	C/F	C/F	C/F	C/F
3/4" X 3/4"	19.00	482.6	C/F	C/F	C/F	C/F
1" X 1/2"	19.00	482.6	C/F	C/F	C/F	C/F
1" X 3/4"	19.00	482.6	C/F	C/F	C/F	C/F
1" X 1"	19.00	482.6	C/F	C/F	C/F	C/F
1-1/2" X 1/2"	19.00	482.6	C/F	C/F	C/F	C/F
1-1/2" X 3/4"	19.00	482.6	C/F	C/F	C/F	C/F
1-1/2" X 1"	19.00	482.6	C/F	C/F	C/F	C/F
1-1/2" X 1-1/2"	C/F	C/F	C/F	C/F	C/F	C/F
2" X 1/2"	19.00	482.6	C/F	C/F	C/F	C/F
2" X 3/4"	19.00	482.6	C/F	C/F	C/F	C/F
2" X 1"	19.00	482.6	C/F	C/F	C/F	C/F
2" X 1-1/2"	C/F	C/F	C/F	C/F	C/F	C/F
2" X 2"	C/F	C/F	C/F	C/F	C/F	C/F
3" X 1/2"	19.00	482.6	C/F	C/F	C/F	C/F
3" X 3/4"	19.00	482.6	C/F	C/F	C/F	C/F
3" X 1"	19.00	482.6	C/F	C/F	C/F	C/F
3" X 2"	C/F	C/F	C/F	C/F	C/F	C/F
4" X 1"	19.00	482.6	C/F	C/F	C/F	C/F
4" X 1-1/2"	C/F	C/F	C/F	C/F	C/F	C/F
4" X 2"	C/F	C/F	C/F	C/F	C/F	C/F
4" X 3"	C/F	C/F	C/F	C/F	C/F	C/F
6" X 1"	19.00	482.6	C/F	C/F	C/F	C/F
6" X 1-1/2"	C/F	C/F	C/F	C/F	C/F	C/F
6" X 2"	C/F	C/F	C/F	C/F	C/F	C/F
6" X 3"	C/F	C/F	C/F	C/F	C/F	C/F
6" X 4"	C/F	C/F	C/F	C/F	C/F	C/F

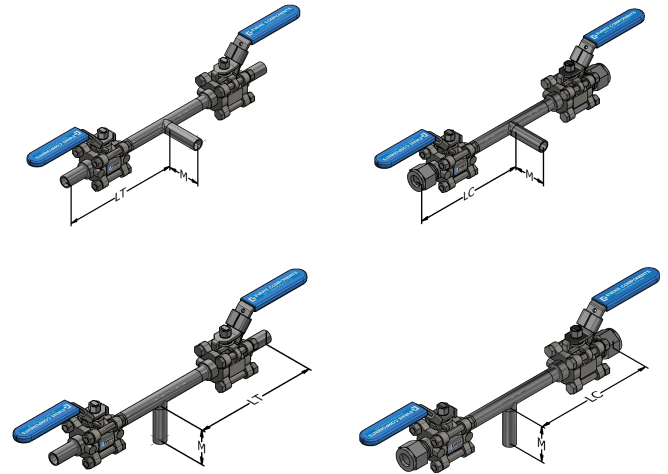
Integrated Valve Dimensions

Double Horizontal Cross (DHC)



SIZE	M in	M mm	LT in	LT mm	LC in	LC mm
1/2" X 1/4"	3.75	95.3	C/F	C/F	C/F	C/F
1/2" X 1/2"	3.75	95.3	C/F	C/F	C/F	C/F
3/4" X 1/4"	4.00	101.6	C/F	C/F	C/F	C/F
3/4" X 1/2"	4.00	101.6	C/F	C/F	C/F	C/F
3/4" X 3/4"	4.00	101.6	C/F	C/F	C/F	C/F
1" X 1/2"	7.00	177.8	C/F	C/F	C/F	C/F
1" X 3/4"	7.00	177.8	C/F	C/F	C/F	C/F
1" X 1"	7.00	177.8	C/F	C/F	C/F	C/F
1-1/2" X 1/2"	7.00	177.8	C/F	C/F	C/F	C/F
1-1/2" X 3/4"	7.00	177.8	C/F	C/F	C/F	C/F
1-1/2" X 1"	7.00	177.8	C/F	C/F	C/F	C/F
1-1/2" X 1-1/2"	7.00	177.8	C/F	C/F	C/F	C/F
2" X 1/2"	5.75	146.1	C/F	C/F	C/F	C/F
2" X 3/4"	5.75	146.1	C/F	C/F	C/F	C/F
2" X 1"	9.00	228.6	C/F	C/F	C/F	C/F
2" X 1-1/2"	9.00	228.6	C/F	C/F	C/F	C/F
2" X 2"	9.00	228.6	C/F	C/F	C/F	C/F
3" X 1/2"	6.75	171.5	C/F	C/F	C/F	C/F
3" X 3/4"	6.75	171.5	C/F	C/F	C/F	C/F
3" X 1"	9.00	228.6	C/F	C/F	C/F	C/F
3" X 2"	9.00	228.6	C/F	C/F	C/F	C/F
4" X 1"	8.25	209.6	C/F	C/F	C/F	C/F
4" X 1-1/2"	8.25	209.6	C/F	C/F	C/F	C/F
4" X 2"	8.25	209.6	C/F	C/F	C/F	C/F
4" X 3"	14.00	355.6	C/F	C/F	C/F	C/F
6" X 1"	11.25	285.8	C/F	C/F	C/F	C/F
6" X 1-1/2"	11.25	285.8	C/F	C/F	C/F	C/F
6" X 2"	11.25	285.8	C/F	C/F	C/F	C/F
6" X 3"	14.00	355.6	C/F	C/F	C/F	C/F
6" X 4"	14.00	355.6	C/F	C/F	C/F	C/F

Double Horizontal/Vertical Tee (DHT/DVT)



SIZE	M in	M mm	LT in	LT mm	LC in	LC mm
1/2" X 1/2"	C/F	C/F	C/F	C/F	C/F	C/F
3/4" X 1/2"	C/F	C/F	C/F	C/F	C/F	C/F
3/4" X 3/4"	C/F	C/F	C/F	C/F	C/F	C/F
1" X 1/2"	C/F	C/F	C/F	C/F	C/F	C/F
1" X 3/4"	C/F	C/F	C/F	C/F	C/F	C/F
1" X 1"	C/F	C/F	C/F	C/F	C/F	C/F
1-1/2" X 1/2"	C/F	C/F	C/F	C/F	C/F	C/F
1-1/2" X 3/4"	C/F	C/F	C/F	C/F	C/F	C/F
1-1/2" X 1-1/2"	C/F	C/F	C/F	C/F	C/F	C/F
2" X 1/2"	C/F	C/F	C/F	C/F	C/F	C/F
2" X 3/4"	C/F	C/F	C/F	C/F	C/F	C/F
2" X 1"	C/F	C/F	C/F	C/F	C/F	C/F
2" X 2"	C/F	C/F	C/F	C/F	C/F	C/F
3" X 1/2"	C/F	C/F	C/F	C/F	C/F	C/F
3" X 3/4"	C/F	C/F	C/F	C/F	C/F	C/F
3" X 1"	C/F	C/F	C/F	C/F	C/F	C/F
3" X 2"	C/F	C/F	C/F	C/F	C/F	C/F
4" X 2"	C/F	C/F	C/F	C/F	C/F	C/F

Dimensions are +/- 0.2"
*C/F - Consult Factory

Part Number Matrix

Upstream  Downstream

EXAMPLE:

SS - 08 - 24 DHC M C 08 - XP
1 - 2 - 3 4 5 6 7 - 8 9 10

1/2" stainless steel, double horizontal cross with a 1-1/2" 316L stainless steel tube main, a 1/2" stainless steel compression branch and a single, downstream compression purge port

1. Series (Body Material) Designator

SS - 316 Stainless Steel (1/4" - 24")
 SG - 304 Stainless Steel (1/4"-24")
 B - Brass (1/2"-2")

2. Valve Size

04 - 1/4"	32 - 2"	160 - 10"
06 - 3/8"	40 - 2-1/2"	192 - 12"
08 - 1/2"	48 - 3"	224 - 14"
10 - 5/8"	64 - 4"	256 - 16"
12 - 3/4"	80 - 6" RP	288 - 18"
16 - 1"	96 - 6" FP or 8" RP	320 - 20"
24 - 1-1/2"	128 - 8" FP	384 - 24"

3. Main Size Designator

04 - 1/4"	32 - 2"	160 - 10"
06 - 3/8"	40 - 2-1/2"	192 - 12"
08 - 1/2"	48 - 3"	224 - 14"
10 - 5/8"	64 - 4"	256 - 16"
12 - 3/4"	80 - 5"	288 - 18"
16 - 1"	96 - 6"	320 - 20"
24 - 1-1/2"	128 - 8"	384 - 24"

4. Valve Assembly Pattern Designator

STR - Straight 2-way
 SHC - Single Horizontal Cross
 SHC2 - Single Horizontal Cross (2-valves)
 DHC - Double Horizontal Cross
 DHT - Double Horizontal Tee
 DVT - Double Vertical Tee

Manifold Assemblies**

** - Insert number designator indicating total quantity of valves required for manifold. (Example: DHC6, Double Horizontal Cross pattern, 6 valves)

5. Inlet Connection Designator

6. Outlet Connection Designator

(Skip this designator for STR (straight 2-way valves) if outlet is same as inlet connection)

S - Copper Tube Extension
 C - SS Compression Fitting
 D - Plugged SS Compression Fitting
 E - Pipe Socket Weld
 F - Female NPT
 G - 304L Sch. 10 Pipe Extension
 W - 304L SS Tube Extension
 L - 316L SS Sch. 10 Pipe Extension
 L40 - 316L SS Sch. 40 Pipe Extension
 M - 316L SS Tube Extension

(continued on next column)

5. (continued)

6. (continued)

R - Male Face Seal
 Q - Plugged Female Face Seal
 T - 316L Tube Extension with Weld Cap
 Y - Dockweiler Removable Weld Cap
 U - 150# ANSI Pipe Flange

7. Outlet Connection Size

(Skip this designator for 2-way valves)

04 - 1/4"	16 - 1"	48 - 3"
06 - 3/8"	24 - 1-1/2"	64 - 4"
08 - 1/2"	32 - 2"	
12 - 3/4"	40 - 2-1/2"	

8. Purge Port Designator (Upstream/Downstream)

(1/4" purge port: 1/4" - 2-1/2", 1/2" purge port: 3"-14"
 3/4" purge port: 16"-20", 1" purge port: 24")

X - No Purge Port
 V - Purge Valve (capped compression end connection)
 VZ - Purge Valve (capped VCR end connection)
 P - Capped Compression
 Z - Capped Male Face Seal
 Q - Plugged Female Face Seal

9. Options

E - 15 Ra Electropolished Ball & Tube Extension
 T - Tee style Handle (4" valve option with ISO pad)
 NO - Normally Open Actuator - Spring Return
 NC - Normally Closed Actuator - Spring Return
 DA - Double Acting Actuator
 OH - Oval Handle with Lockout (1/4"-4" Sizes)

Solenoid Assist for Air Actuator

24V - 24 VDC Solenoid Assist
 120V - 120 VAC Solenoid Assist
 240V - 240 VAC Solenoid Assist
 LS - Nema 4.4 X Limit Switch W/ Beacon
 EX - Explosion Proof Option

10. Optional Colored Handle Designator

(Leave Blank for Standard Blue Handle)
 B - Black W - White
 G - Green Y - Yellow
 R - Red I - Pink

* PED/CE Marking of valves is not standard and must be specified at time of order

Actuator and Solenoid Specifications

V-SOLENOID II - direct mounting Namur solenoid valves for process valve actuators Standard features

- Robust, reliable patented 2 piston / 4 pillar poppet valve design provides bubble-tight shut-off for millions of cycles 5/2 function or 3/2 function selectable via 180° turn of the patented rotary sealing plate Direct NAMUR standard mounting
- Corrosion and impact resistant glass fiber reinforced composite material
- Low maintenance through non lubrication design
- High air flow (Cv > 1,1) and fast response
- Exhaust feedback - provides actuator with clean instrument air, preventing corrosion and galling
- Wide operating temperature range: - 40°C to 50°C (-40°F to 125°F)
- Pressure range 2.5 - 8 Bar (35 - 120 PSI)
- Coils easily changed with a wide selection of voltages available
- Coil duty cycle 100%
- Coil can be fixed at any 90° increment
- Manual override with on / off indicator
- Weatherproof IP65
- NEMA types 4 and 4X
- All series CE certified



Air Operated Actuator Performance

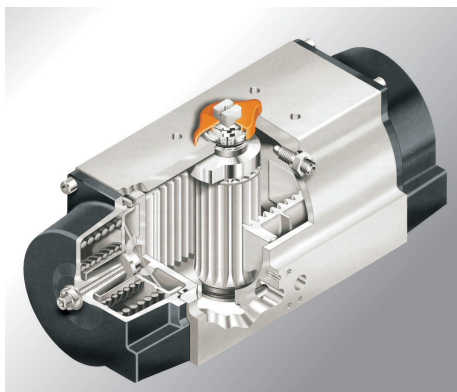
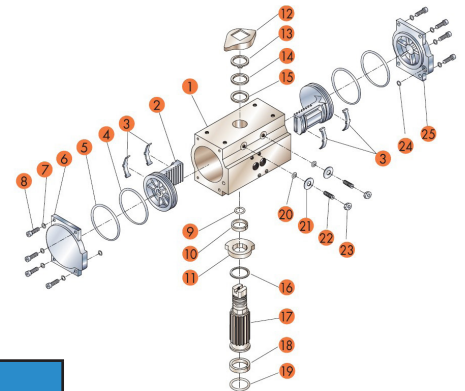
Operating Pressure Range: 40 to 120PSIG.

Maximum Allowable Working Pressure: 150PSIG.

Maximum Operating Pressure: 120PSIG

Operating Temperature Standard: -40°F to +200°F

*Air Inlet/Outlet connections: 1/4 BSP



NO.	MATERIAL
1	BODY: Extruded aluminum alloy (Hard anodized)
2	PISTONS: Die cast aluminum alloy
3	BEARING: Nylon
4	O-RING: Buna-N
5	O-RING: Buna-N
6	END CAP(L): Die cast aluminum alloy
7	WASHER: Stainless steel
8	CAP SCREW: Stainless steel
9	O-RING: Buna-N
10	BEARING: Nylon
11	STOP CAM: Sinteral steel
12	PISTON INDICATOR: Polyethylene
13	RETAINING RING: Stainless steel

NO.	MATERIAL
14	WASHER: Stainless steel
15	BEARING: Nylon
16	RETAINING RING: Stainless steel
17	PINION: Carbon steel (Electro-less nickel plated)
18	BEARING: Nylon
19	O-RING: Buna-N
20	O-RING: Buna-N
21	WASHER: Stainless steel
22	NUT: Stainless steel
23	NUT: Stainless steel
24	O-RING: Buna-N
25	END CAP(R): Die cast aluminum alloy

Learn more about related Evans Products

EVANS COMPONENTS | Evans SS-G & GXL Series
Integrated Stainless Gas Sicks



G & GXL Series Features

- 316SS CF8M Body Construction
- CFOS Cleaned and packaged in cleanroom
- 2-PC Design G-series allows for isolation and removal of regulator



EVANS COMPONENTS | Evans PLT Series Presslok[®] Stainless Tube Fittings/Valves
Tube Size Range: 1/2" thru 4"



PRESSLOK[®] GO/NO-GO GAUGES

- If Presslok[®] Go/No-Go Gauge slips over-pressed section of fitting, press is acceptable.
- If gauge does not slip over pressed section, press is unacceptable.



EVANS COMPONENTS | Evans E-Series
"Low Cost" CFOS Grade Gas Sicks



Options

- Available Size Range: 1/4" (6.4mm) thru 1" (25.4mm)
- Optional 5 Micron Sintered Filter



www.evanscomponents.com

7606 SW Bridgeport Road
Portland, Oregon 97224

Office 971.249.1600

Fax 971.249.1601