

Evans DM Series

CAr Purge Tools

Evans Components provides an economical, reliable and more compact solution to purge gas delivery for high-purity welding and testing in semiconductor applications. The convenient to use Evans Purge Tool, and Purge Station, directly replaces costly multi-component arrays with an exclusive “Integrated Manifold” design. All components are integrated into a single compact, lightweight unit which eliminates assembly time, reduces potential hazing and discoloration of weld zones, and improves reliability. All Evans Purge Tools and Purge Stations are cleaned for oxygen service and packaged in a clean room environment.



Features

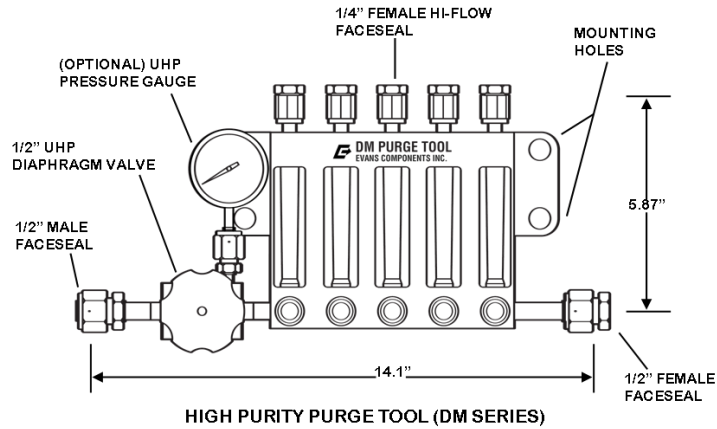
- **Lower cost than conventional stainless assemblies.**
- **Fewer connections and welds give unmatched leak integrity.**
- **Superior purgeability and improved dry-down characteristics.**



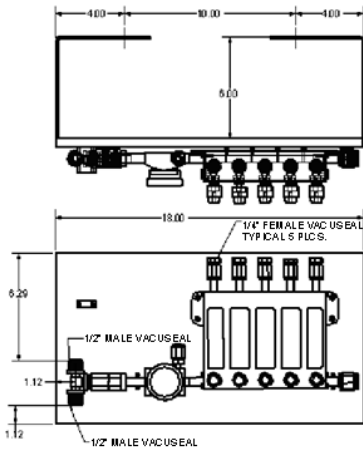
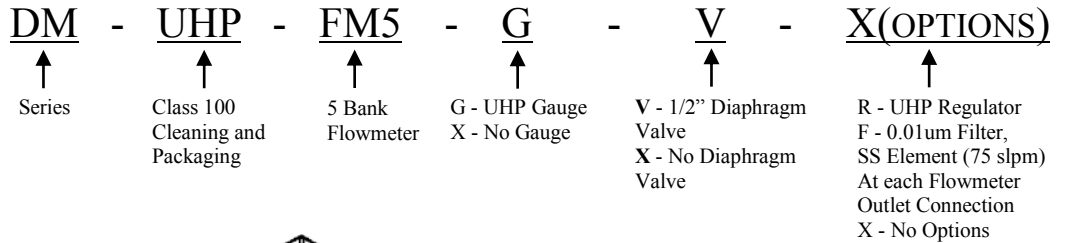
Drawings & Specifications

Important Features and Specifications

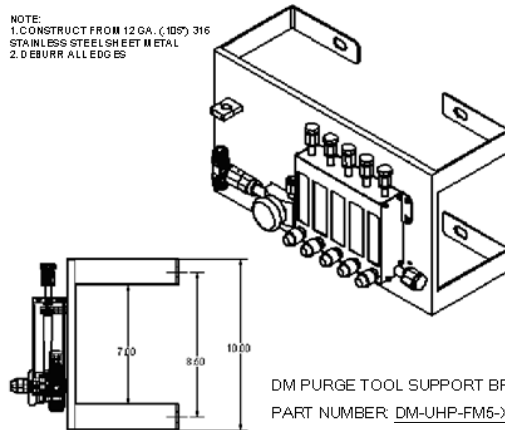
- Compact/Lightweight
- 100% helium leak tested, 1×10^{-9}
- Each flowmeter rated to a maximum flow rate of 110 scfh/52 slpm
- Assembly is rated to 225 psig
- 10 Ra electro polished stainless fittings
- Guaranteed dry-down to less than 10 ppb



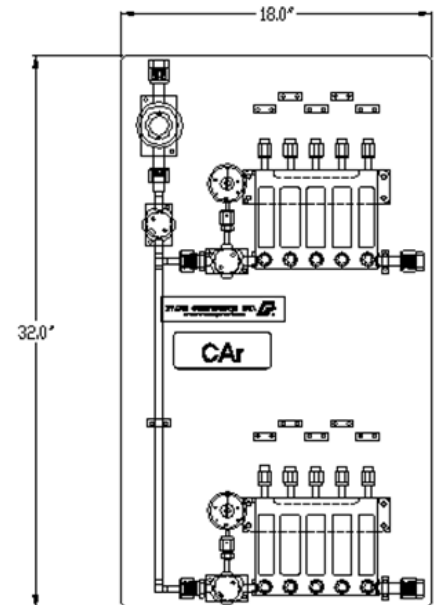
DM SERIES PURGE TOOL - PART NUMBER DESCRIPTION



NOTE:
1. CONSTRUCT FROM 12 GA. (.105") 316
STAINLESS STEEL SHEET METAL
2. DEBURR ALL EDGES



DM PURGE TOOL SUPPORT BRACKET
PART NUMBER: DM-UHP-FM5-X-V-BKT-A



CAr PURGE STATION
PART NUMBER: DM-UHP-8VF5-2



Evans Components, Inc.

7606 Bridgeport Road
Portland, Oregon 97224

Phone: 971-249-1600

Fax: 971-249-1601

Web Site: www.evanscomponents.com

NOTE: Product availability and specifications contained herein are subject to change without notice. Consult local distributor or factory for potential revisions.