

Evans Stainless - PVC/CPVC *Transition Fitting*

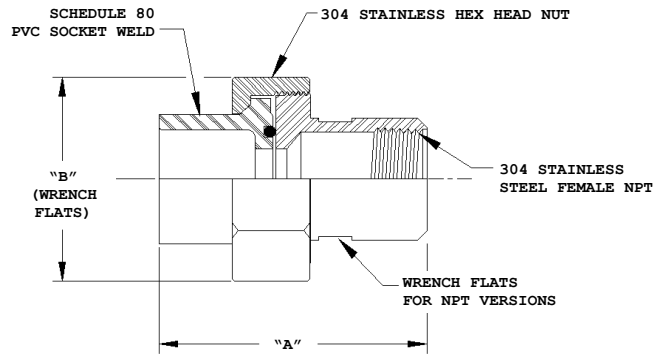
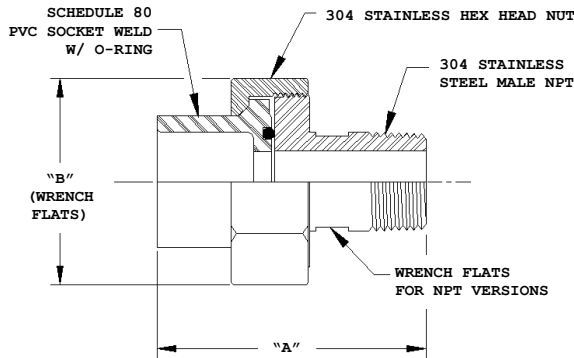


PW Series Fittings

- 1/2" - 3" Sizes
- PVC/CPVC optional material
- Stainless Steel Union Nut
- Fitting cannot be damaged from over tightening
- Rated to 235 psig / 16 Bar maximum pressure
- (PVC) 140°F / 60°C, (CPVC) 210°F / 98°C max temperature rating
- O-ring material EPDM

Evans Stainless - PVC Transition Fitting

Part Number Matrix



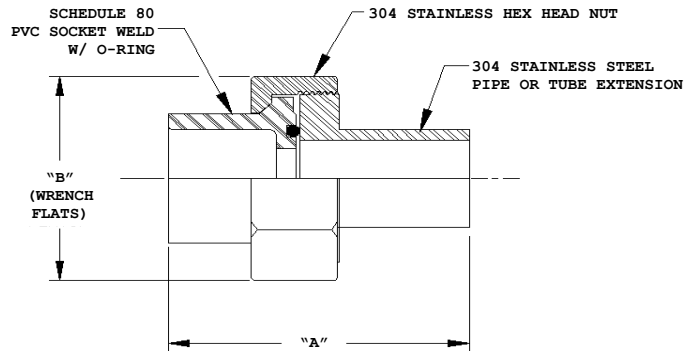
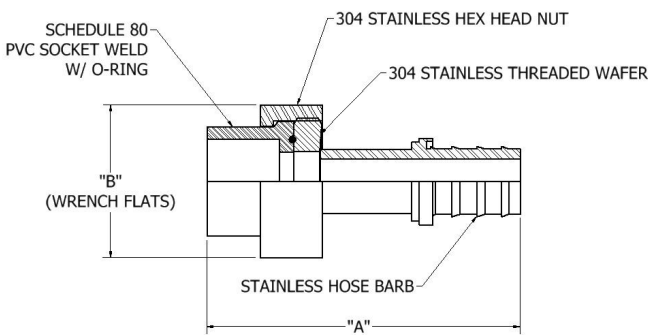
| Base Part Number | Size | Dimension "A" | Dimension "B" |
|------------------|--------|---------------|---------------|
| PW-08**-SPU-M | 1/2" | 3.1" | 1-5/8" |
| PW-12**-SPU-M | 3/4" | 3.2" | 2-1/4" |
| PW-16**-SPU-M | 1" | 3.7" | 2-5/8" |
| PW-24**-SPU-M | 1-1/2" | 3.9" | 3-1/2" |
| PW-32**-SPU-M | 2" | 4.0" | 4.0" |
| PW-40**-SPU-M | 2-1/2" | 7.14" | 5.39" |
| PW-48**-SPU-M | 3" | 7.36" | 5.39" |

| Base Part Number | Size | Dimension "A" | Dimension "B" |
|------------------|--------|---------------|---------------|
| PW-08**-SPU-F | 1/2" | 3.1" | 1-5/8" |
| PW-12**-SPU-F | 3/4" | 3.2" | 2-1/4" |
| PW-16**-SPU-F | 1" | 3.7" | 2-5/8" |
| PW-24**-SPU-F | 1-1/2" | 3.9" | 3-1/2" |
| PW-32**-SPU-F | 2" | 4.0" | 4.0" |
| PW-40**-SPU-F | 2-1/2" | 3.19" | 5.39" |
| PW-48**-SPU-F | 3" | 4.97" | 5.39" |

Dimensions are +/- 0.1"

Dimensions are +/- 0.1"

- **PS -- PVC Schedule 80 Pipe Socket (Standard)
- **CS – CPVC Schedule 80 Pipe Socket (Optional),



| Base Part Number | Size | Dimension "A" | Dimension "B" |
|------------------|--------|---------------|---------------|
| PW-08**-SPU-HB | 1/2" | 3.56" | 1.80" |
| PW-12**-SPU-HB | 3/4" | 4.17" | 1.875" |
| PW-16**-SPU-HB | 1" | 4.89" | 2.39" |
| PW-24**-SPU-HB | 1-1/2" | 4.64" | 3.60" |
| PW-32**-SPU-HB | 2" | 4.69" | 4.18" |

| Base Part Number | Size | Dimension "A" | Dimension "B" |
|------------------|--------|---------------|---------------|
| PW-08**-SPU-* | 1/2" | 3.1" | 1-5/8" |
| PW-12**-SPU-* | 3/4" | 3.2" | 2-1/4" |
| PW-16**-SPU-* | 1" | 3.7" | 2-5/8" |
| PW-24**-SPU-* | 1-1/2" | 3.9" | 3-1/2" |
| PW-32**-SPU-* | 2" | 4.0" | 4.0" |
| PW-40**-SPU-* | 2-1/2" | 7.14" | 5.39" |
| PW-48**-SPU-* | 3" | 7.36" | 5.39" |

Dimensions are +/- 0.1"

NOTE: Product availability and specifications contained herein are subject to change without notice. Consult local distributor or factory for potential revisions.

- *G - 304L Schedule 10 Pipe Extension
- *TS - 316L Tube Stub

05/15