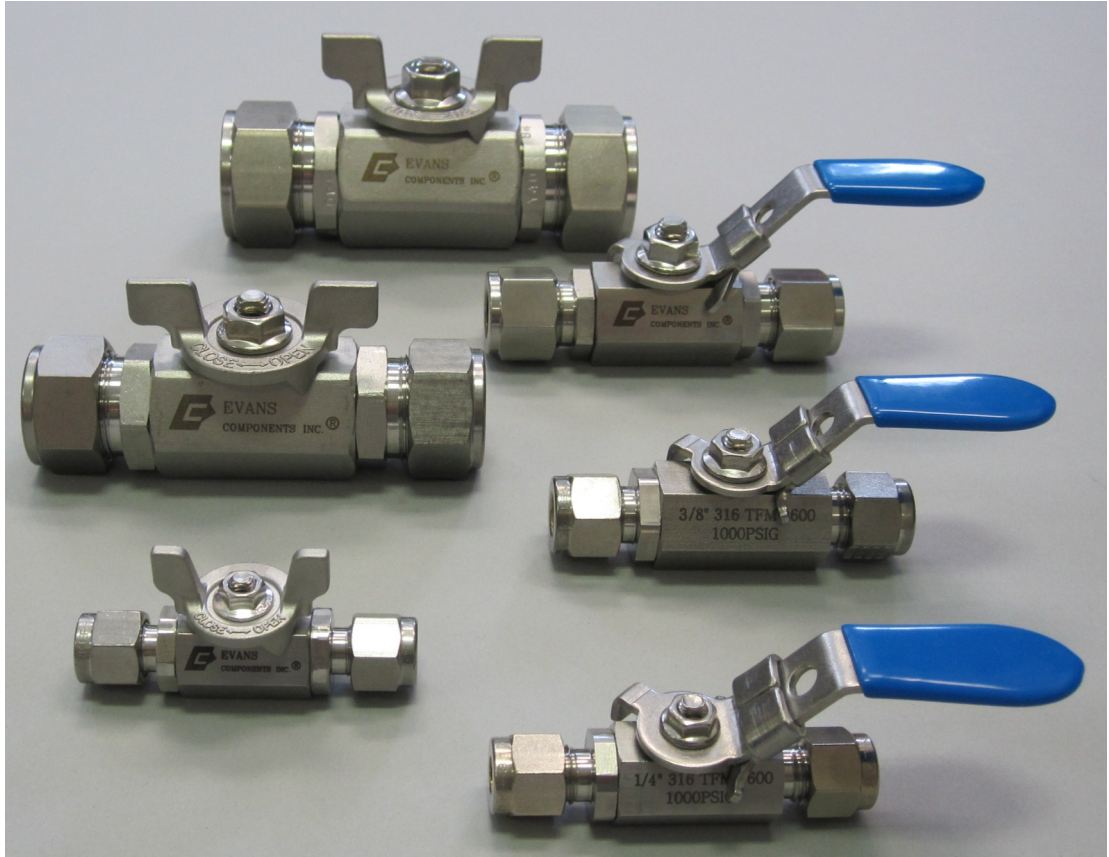


# Evans SG-30 Series

*3-pc 304L Mini-ball Valves*

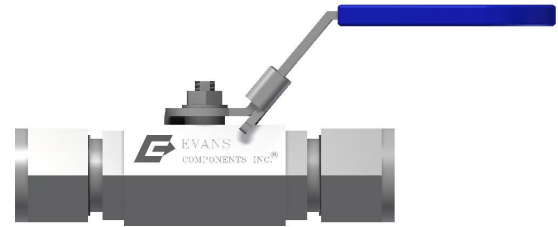
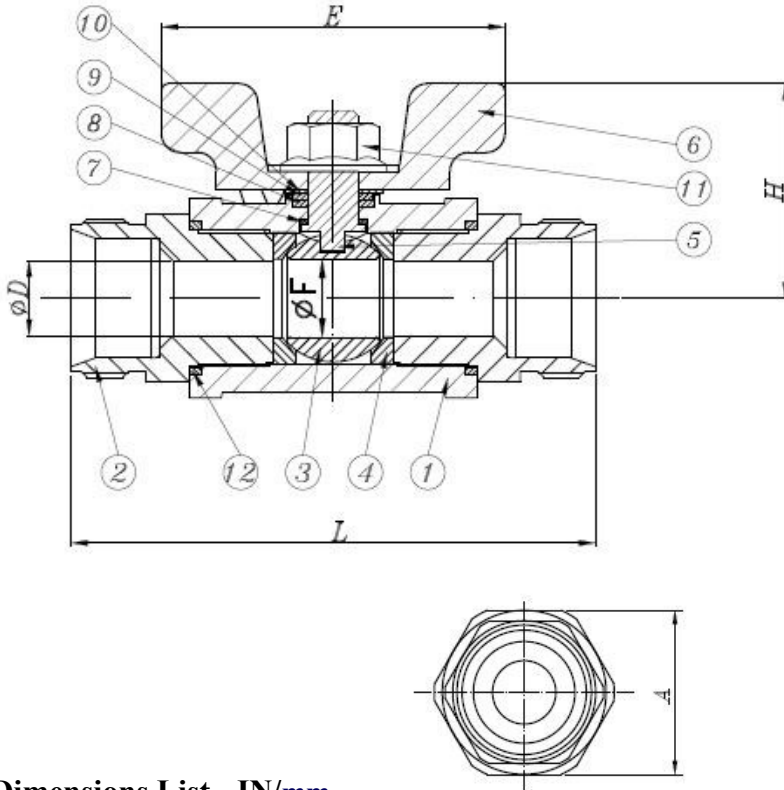


## Features

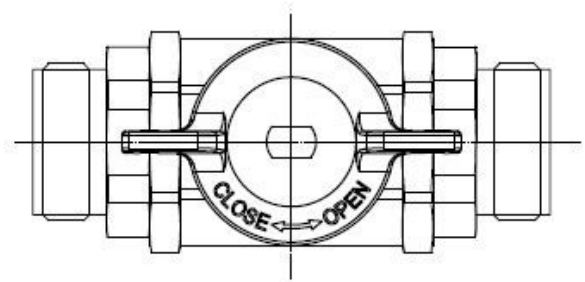
- CFOS Cleaned
- Helium leak rated to  $1 \times 10^{-7}$  ssc/sec
- Economical one piece hex body design
- Compact, comes standard with butterfly handle
- Locking lever handle, optional
- Easy to operate, low torque

 **EVANS**  
COMPONENTS, INC.<sup>®</sup>

# Drawings & Specifications



**Optional Locking Lever Handle :** Replace -BH in part number with -LH to specify this option



## Dimensions List - IN/mm

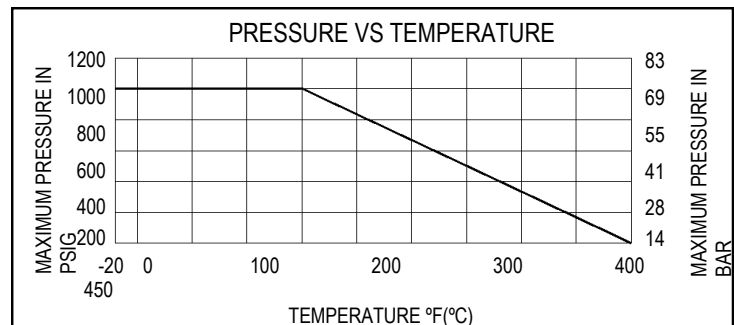
SIZE	PART NUMBER	ORIFICE	CV	L	H	E	A
1/4" 6.35	SG-33S4-BH	0.18 4.6	2.4	2.21" 56.1	1" 25.4	1.29" 32.7	0.66" 16.7
3/8" 9.53	SG-34S6-BH	0.28 7.1	6	2.55" 64.8	1.12" 28.4	1.45" 36.8	.82" 20.8
1/2" 12.7	SG-35S8-BH	0.41 10.3	12	2.83" 71.8	1.25" 31.7	1.81" 45.9	.94" 23.9
3/4" 19.05	SG-36S12-BH	0.62 15.75	27	3.30" 83.8	1.37" 34.8	2.16" 54.9	1.18" 29.9
1" 25.4	SG-37S16-BH	0.87 22.1	40	3.74" 95	1.70" 43.2	2.44" 62	1.49" 37.8

## Materials List

NO.	PART NAME	QTY	MATERIAL
1	Body	1	CF8 304SS
2	End Cap	2	CF8 304SS
3	Ball	1	304SS
4	Ball Seat	2	TFM 1600
5	Stem	1	304SS
6	Handle	1	304SS
7	Stem Seal	1	PTFE
8	Stem Packing	1	PTFE
9	Washer	2	304SS
10	Bellville Washer	1	301SS
11	Flange Nuts	1	304SS
12	Body Seal	2	PTFE



**Evans Components, Inc.**  
 7606 Bridgeport Road  
 Portland, Oregon 97224  
 Phone: 971-249-1600  
 Fax: 971-249-1601  
 Web Site: [www.evanscomponents.com](http://www.evanscomponents.com)



NOTE: Product availability and specifications contained herein are subject to change without notice. Consult local distributor or factory for potential revisions.